

| Pos. | Item | Description |
|------|-------------|---|
| A | Pump | To pump the water from the CIP reservoir into the CIP system |
| B | Pipe filter | To remove the debris from the CIP cleaning water. (800µm) |
| C | Fine filter | A centrifugal screw pushes the heavier dirt particles to the bottom of the filter and the fleece filters the smaller particles. (300µm) |



1 Clean the filters

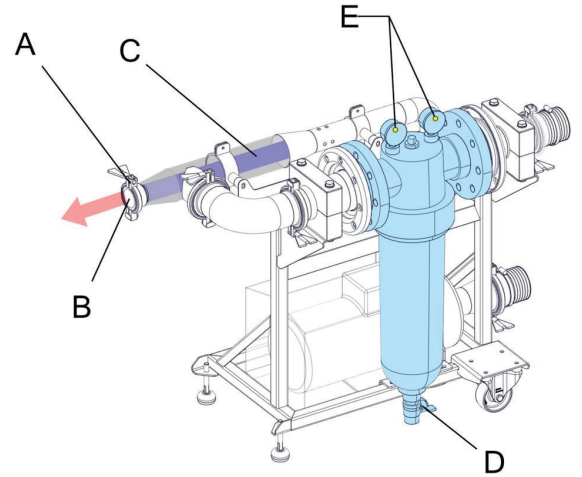
Make sure the pump is on hold and the reservoir is empty before cleaning the filters.

To clean the pipe filter do the next steps:

1. Remove the clamp (A).
2. Remove the cover (B).
3. Pull out the filter (C).
4. Rinse the filter with pure water and air pressure (6 bar).
5. Remove debris from the filter pipe.
6. Install the filter.
7. Put the cover back.
8. Place and close the clamp.

To clean the fine filter do the next steps:

1. Open the tap (D).
2. Close the valve when the filter is empty.



2 Replace the fine filter fleece

- If during CIP cleaning the water flows of the nozzles are insufficient, the filter fleece must be replaced. (If the water flow of only an individual nozzle is insufficient, clean or replace the nozzle).
- Replace the filter fleece minimum 3 times per year.

To replace the filter fleece do the next steps:

1. Remove the clamps (B).
2. Turn the filter.
3. Use the plastic tool to remove the filter house.
4. Replace the fleece.
5. Assemble the filter house. Screw with hand force, do not use tools for this.
6. Turn back the filter and place the clamps.

